

## Getting Started

Thank you for choosing our signal jammer. This is a user manual of our portable signal jammer, and in this user manual, we aim to equip you with a comprehensive understanding of its operation, from button placements and accessory functions to its array of hardware features.

## Unboxing and Initial Setup

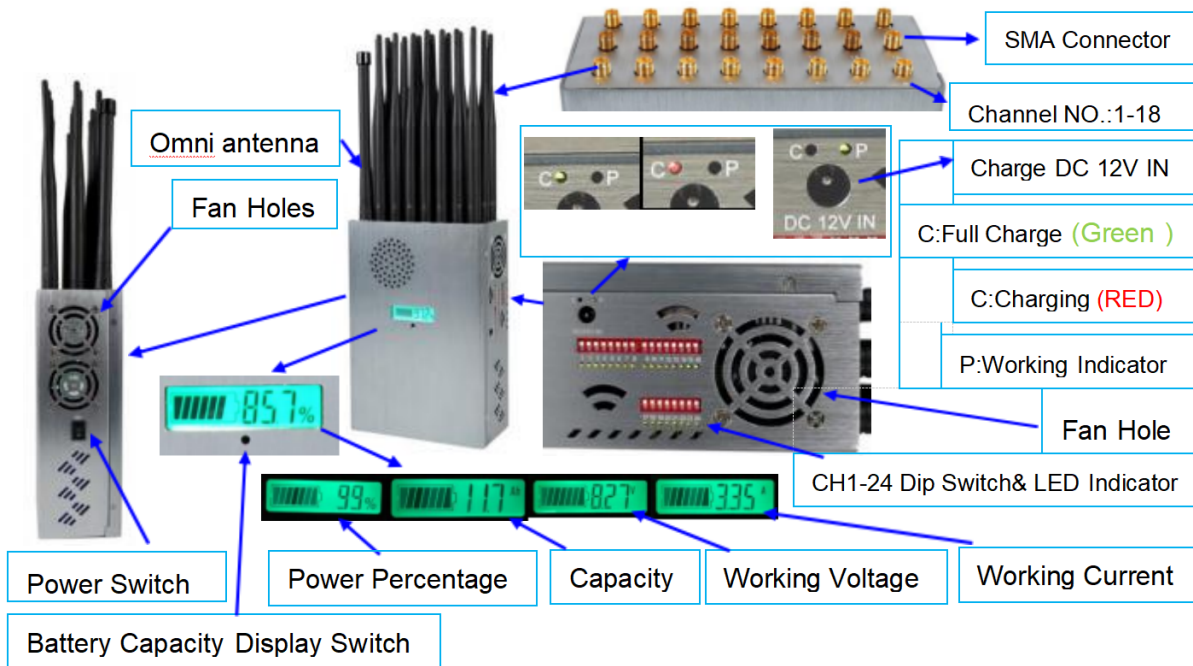
Carefully open the packaging and retain it for potential future use, such as storage or shipping purposes. Ensure that all components are in good condition. If you encounter any damaged or defective items, please contact us immediately.



### Package includes:

- Jammer unit x1
- Antennas x24
- Power adaptor x1
- AC plug x1
- Car charger x1
- Nylon cover x1

## Product Details



## Installation Steps

1. Install the antennas according to the channel number.
2. Turn on the power switch
3. Turn on the DIP switch



Once you've activated the Power Switch, make sure to also enable the DIP switch. The DIP switch is responsible for managing each individual antenna. Each number indicator corresponds to a specific antenna, and when the LED associated with an antenna is illuminated, it indicates that the antenna is operational.

## Important Notices

- ©Ensure that you power on the device only after connecting each antenna one by one.
- ©The proper installation of antennas is crucial for optimal functional coverage. Please make sure the antennas are securely connected before using the device.
- ©When powering on, maintain a safe distance from computers, notebook PCs, televisions, audio equipment, and AM/FM radios to avoid potential interference.
- ©The normal operating temperature range falls between 45°C and 60°C.
- ©The device's functional coverage is contingent on the location and strength of nearby mobile phone base stations.
- ©For enhanced coverage, consider placing the device at a higher elevation. A recommended height of 2 metres is advisable.